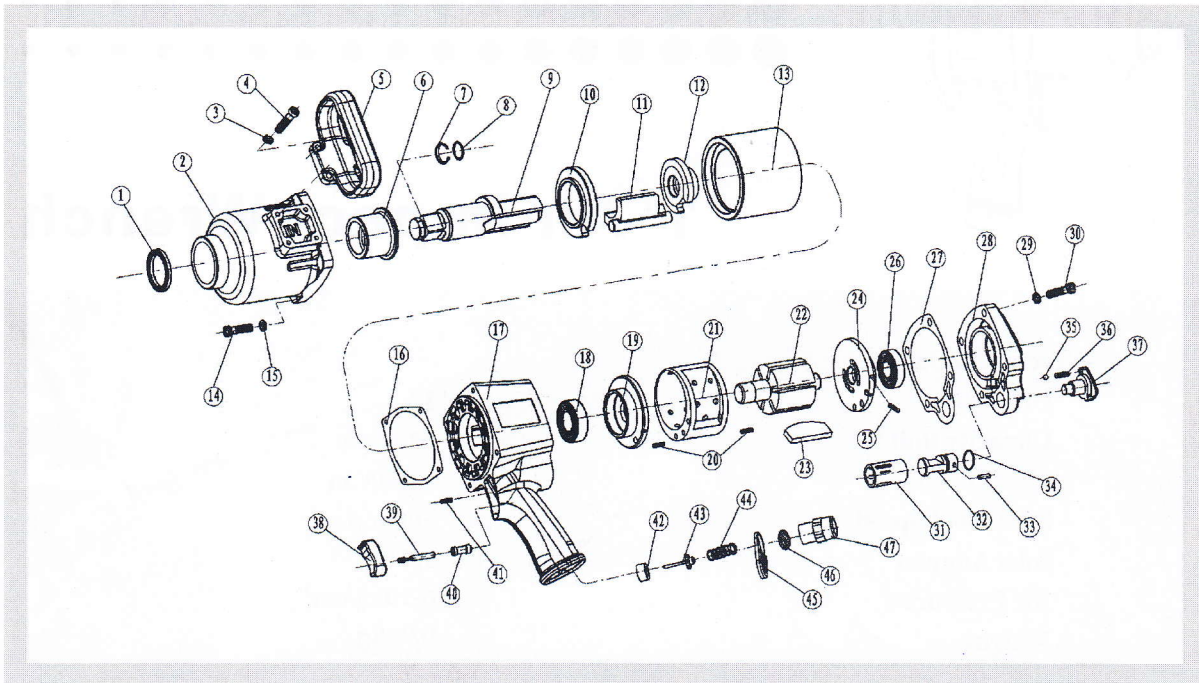


# EXPLODED VIEW

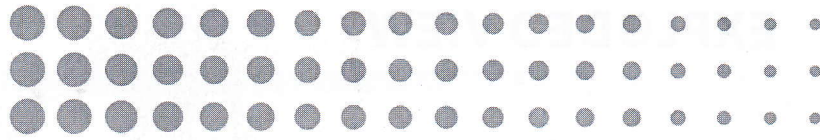
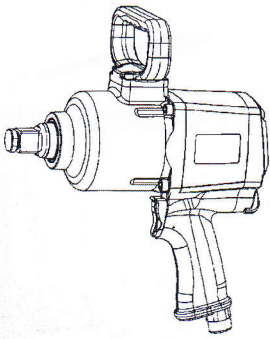


## PARTS LIST

pos	description	q' ty
1	Oil seal	1
2	Hammer case assembly	1
3	Spring washer	4
4	Screw	4
5	Handle	1
6	Bushing	1
7	Retainer Ring	1
8	O-ring	1
9	Anvil	1
10	Hammer cage lining	1
11	Hammer	1
12	Cam	1
13	Hammer Cage	1
14	Screw	4
15	Spring washer	8
16	Hammer case Gasket	1
17	Housing	1
18	Front Bearing	1
19	Front End Plate	1
20	Lock Pin	2
21	Cylinder	1
22	Rotor	1
23	Rotor Blade	6
24	Rear End Plate	1
25	End Plate Pin	1

pos	description	q' ty
26	Rear Bearing	1
27	Back Cover Gasket	1
28	Back Cover	1
29	Spring washer	8
30	Screw	4
31	Reverse Valve Bushing	1
32	Reverse Valve	1
33	Spring Pin	1
34	O-ring	1
35	Steel Ball	1
36	Spring	1
37	Reverse Knob	1
38	Trigger	1
39	Trigger Pin	1
40	Bushing	1
41	Spring Pin	1
42	Throttle Valve Seat	1
43	Valve Stem	1
44	Spring	1
45	Exhaust board	1
46	Filter	1
47	Air inlet	1





# 1" Air Impact Wrench

## 1) Technical Datum

<b>Drive Size</b>	<b>1"</b>
<b>Capacity Bolt Dia.</b>	<b>M32mm</b>
<b>Max Torque</b>	<b>2400N.m</b>
<b>Free-load Speed</b>	<b>5000r.p.m</b>
<b>Inlet Adapter</b>	<b>1/2"</b>
<b>Air Pressure</b>	<b>6-10kg/cm<sup>2</sup></b>
<b>Weight</b>	<b>9.98kg</b>

## 2) Application

The tool is pneumatic wrench with the characteristics of large power, high efficiency, various application. It is widely suitable for installing the motorcycle, cars, generator. It is also very useful for car mending factory, tire shop and so on.

## 3) Features

All the parts are processed by precious machine tool. the dimension of process face is very precious. All the material of impact structure is high quality steel, the heat treatment system extend the service life, so it can stand large impact and wearing.

The tool with the ingenious structure, which make the operator feel comfortable and reduce the tire sense largely, Handle exhaust direct air away from the work, Top-mounted dead handle, 3-position power regulator provides torque management.

## 4) Operations and Maintenances

- a) The moisture of the air compressor and gas storage cylinder must be cleaned thoroughly, air supply pipe is not allowed to leak gas.
- b) Check the air pressure meter whether the pressure is 8 kg, the safe working pressure is within the range of 6.3 kg.
- c) Make sure the tool can normally operate, please install the filter and automatic lubricator on the outlet of the air compressor.
- d) Without lubricator, please keep the air inlet mouth full of lubrication grease before and after working, which can reach the best performance (please use the professional grease of the air wrench).
- e) When the tool can not work, please insert the lubrication grease which can make it turn. If always can not remove the obstacle, please contact with the dealer.